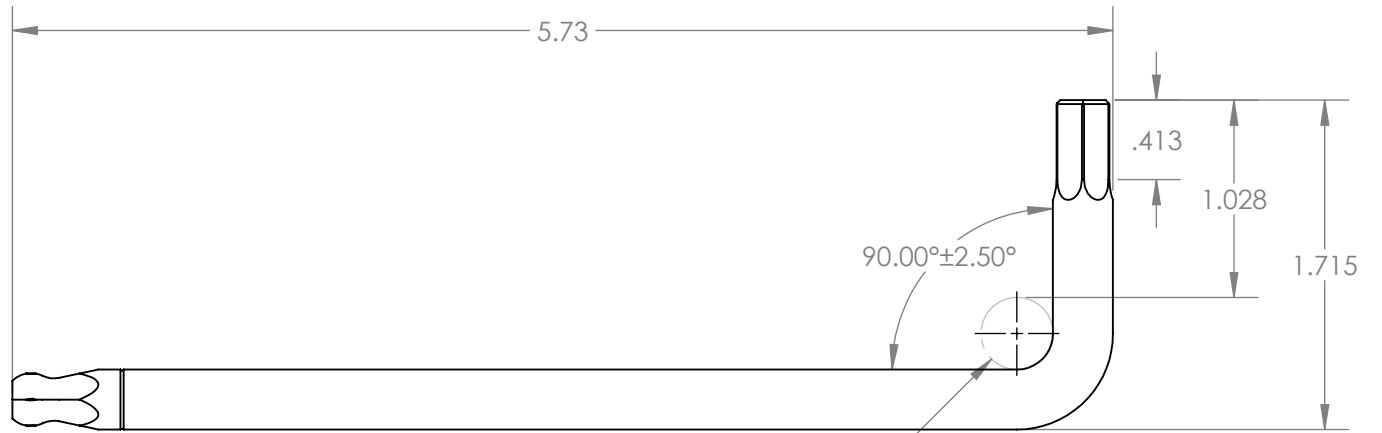
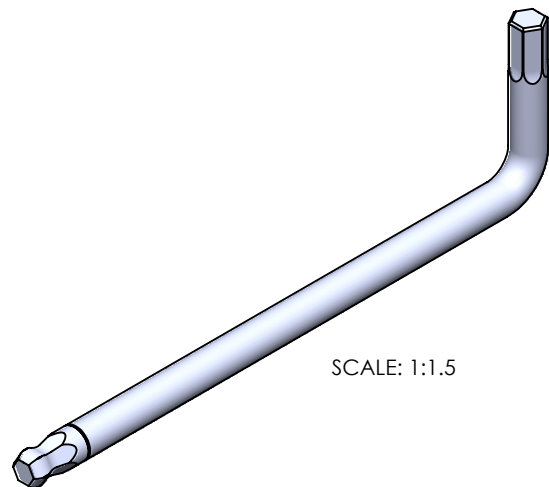
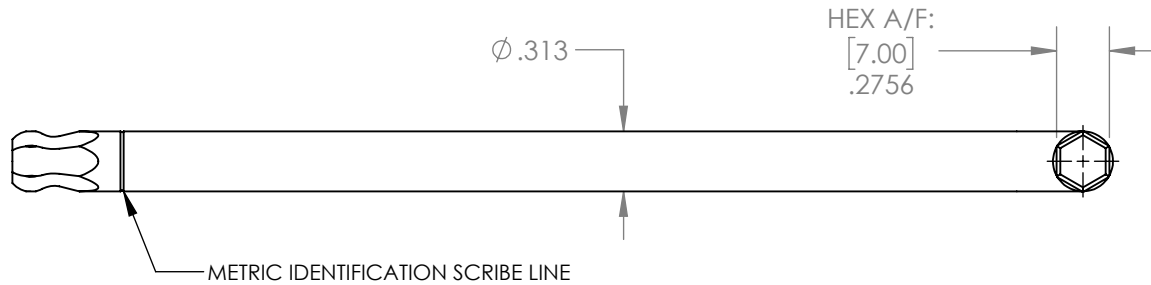


BALL HEX A/F:
 [7.00]
 .2756



USE ϕ .375 PIN FOR BENDING



SCALE: 1:1.5

UNLESS OTHERWISE SPECIFIED: DIMENSIONS ARE IN INCHES			TOLERANCES: X.XX= ±0.13 X.XXX= ±0.015 X.XXXX= -0.0024		
DRAWN	NAME	SIGN	DATE		
APP'VD	A.T.		04.24.19		
MATERIAL: 465 MAGNETIC S.S.					TITLE: 7.0MM BALL 'L' HEX KEY
<i>THIS DRAWING IS THE PROPERTY OF STERITOOL, INC. ANY REPRODUCTIONS OR MODIFICATIONS OF THIS DRAWING OR ITS CONTENTS WITHOUT THE CONSENT OF STERITOOL, INC. IS PROHIBITED.</i>					PART NO. 11819
					SCALE: 1:1